

# BESTLIFT™

NEW!

## PL350CT | FULL BODY PATIENT LIFT

The BestLift™ PL350CT is the perfect solution for car transfers and your everyday transfer needs. With its unique spreader bar, this BestLift is able to position patients from sitting to a lying down position with minimal patient movement. It also transfer them from the car, wheelchair, floor or bed and adds versatility by folding up for easy transportation.



- **350lb** capacity
- Easy car transfer
- Fully electric lift with optimal spare battery
- Foldable and portable for easy transport
- Compatible with most plastic clip slings
- Minimal swinging of patient



2920 PACIFIC DR., NORCROSS, GA 30071  
WWW.BESTCARELLC.COM  
678-679-6690

# | PL350CT



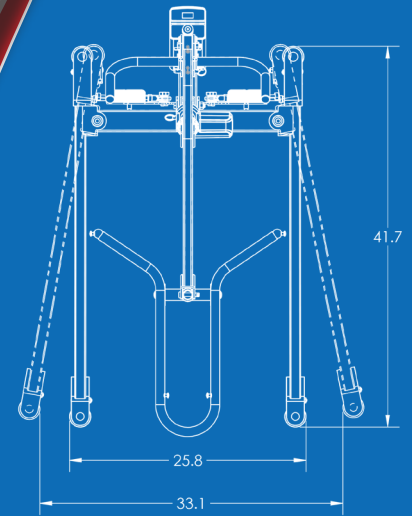
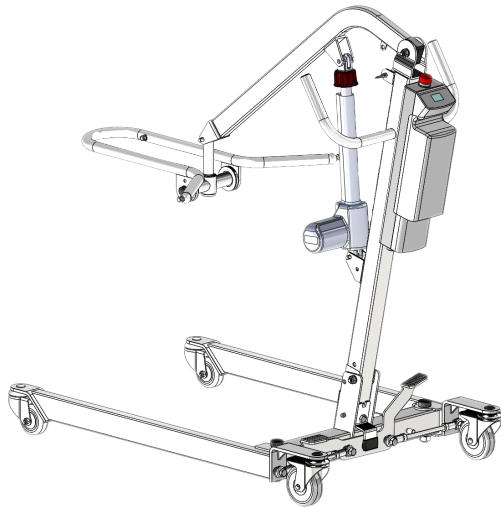
PL350CT BEING USED TO PICK UP PATIENT



SIDE VIEW OF THE PL350CT IN FIRST POSITION



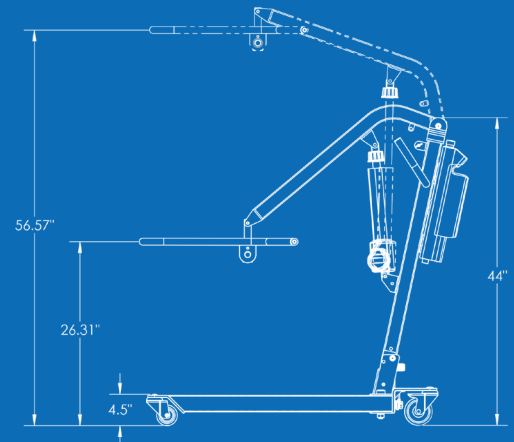
SIDE VIEW OF THE PL350CT BEING LIFTED TO TRANSFER



TOP VIEW OF PL350CT

# | DIMENSIONS

Key dimensions of PL350CT	
maximum capacity	350Lb / 158.8Kg
base legs length	41.7 in
base closed external width	25.8 in
base opened internal width	33.1 in
mast height	44.0 in
min lifting height	26.31 in
max lifting height	56.57 in
netweight	62.8 lb/28.5kg
shipping weight	72.8lb/33kg



SIDE VIEW OF PL350CT

**SPECIFICATIONS PROVIDED ARE A GENERAL GUIDELINE AND ARE SUBJECT TO CHANGE WITHOUT NOTICE**