

BESTLIFT™

PL600 | FULL BODY PATIENT LIFT

The BestLift™ PL600 is one of the latest ProCare products. Ergonomically designed to reduce and eliminate back injuries among professional caregivers. Providing comfort and dignity for users.



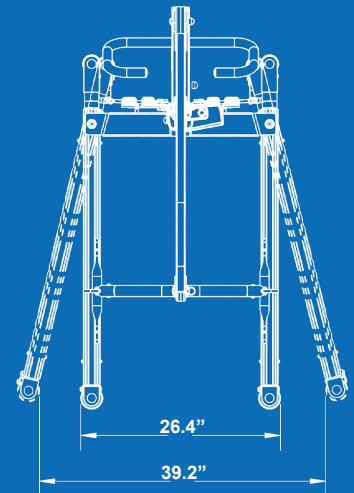
- **600lb** capacity
- Lift from floor and over high beds
- 6-point spreader bar for extra comfort
- Full electric lift with optional spare battery
- Reinforced foot pedal
- Optional scale.

| DIMENSIONS

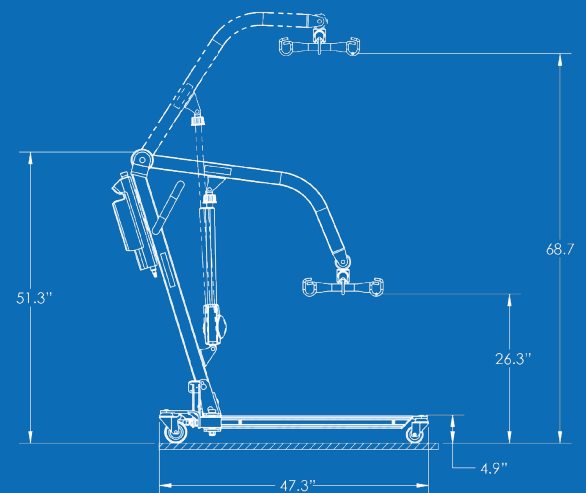
Key dimensions of PL600	
maximum capacity	600Lb / 273 Kg
external base width (closed)	26.4"
internal leg width (opened)	39.2"
upright mast height	51.3"
overall base length	47.3"
base height	4.9"
minimum lifting height with spreader bar	26.3"
maximum lifting height with spreader bar	68.7"
net weight	123 lb / 56 kgs
shipping weight	139 lb / 63 kgs

* SPECIFICATIONS PROVIDED ARE A GENERAL GUIDELINE AND ARE SUBJECT TO CHANGE WITHOUT NOTICE

| PL600



TOP VIEW OF PL600



SIDE VIEW OF PL600