

BESTSTAND™

SA228/H | SIT-TO-STAND LIFT

The Bestlift™ SA228/H are an affordable Care solution. They are compact and easy to maneuver. Medicare reimbursable (E0630).



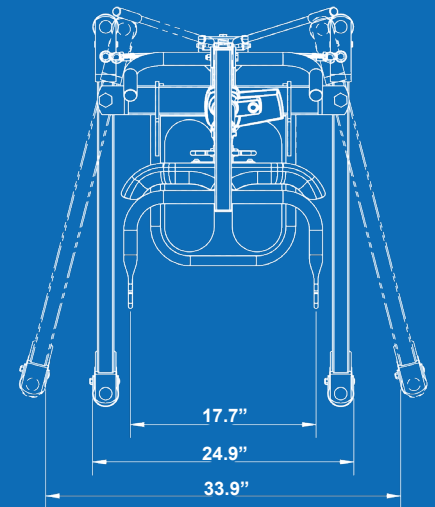
- **500lb** capacity
- Hydraulic with optional electric upgrade
- Adjustable knee pad
- Detachable foot plate

| DIMENSIONS

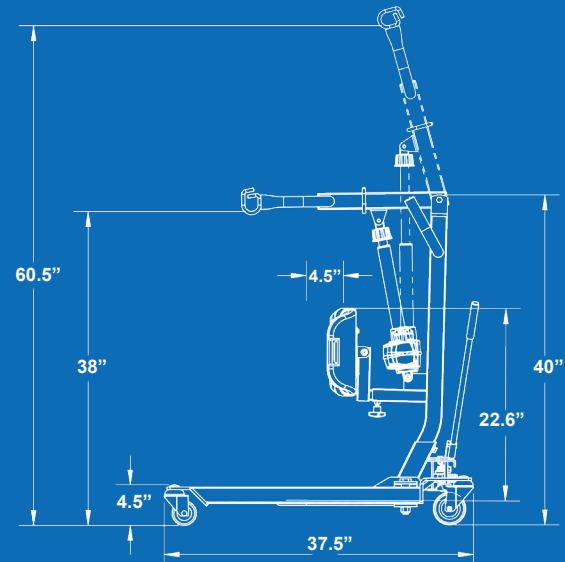
Key dimensions of SA228/H	
maximum capacity	500Lb / 228 Kg
external base width (closed)	24.9"
internal leg width (opened)	33.9"
upright mast height	40"
overall base length	37.5"
base height	4.9"
minimum lifting height with spreader bar	38"
maximum lifting height with spreader bar	60.5"
knee pad length extension range	4.5"
maximum boom width	17.7"
knee pad height extension range	22.6"
net weight	111lb / 50.3kgs
shipping weight	119lb / 53.9kgs

* SPECIFICATIONS PROVIDED ARE A GENERAL GUIDELINE AND ARE SUBJECT TO CHANGE WITHOUT NOTICE

SA228H - Hydraulic SA228 - Electric



TOP VIEW OF SA228



SIDE VIEW OF SA228