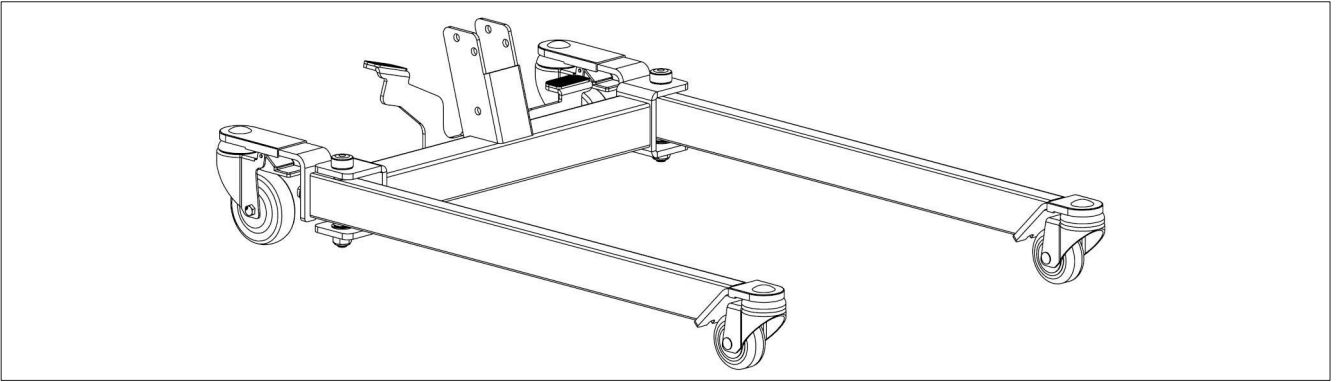
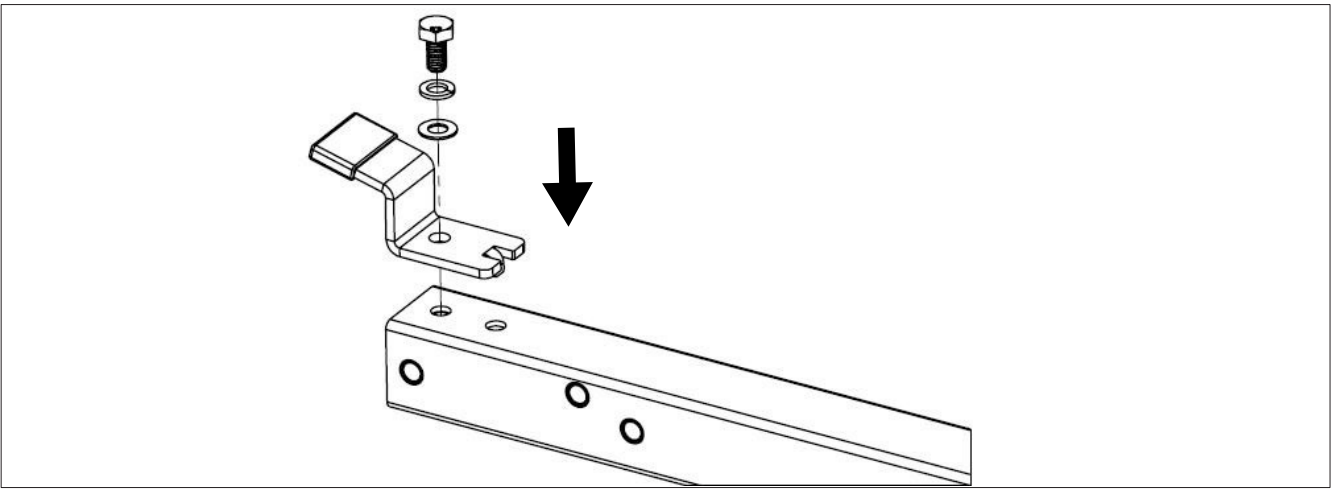


INSTALLATION GUIDE – PL400EF

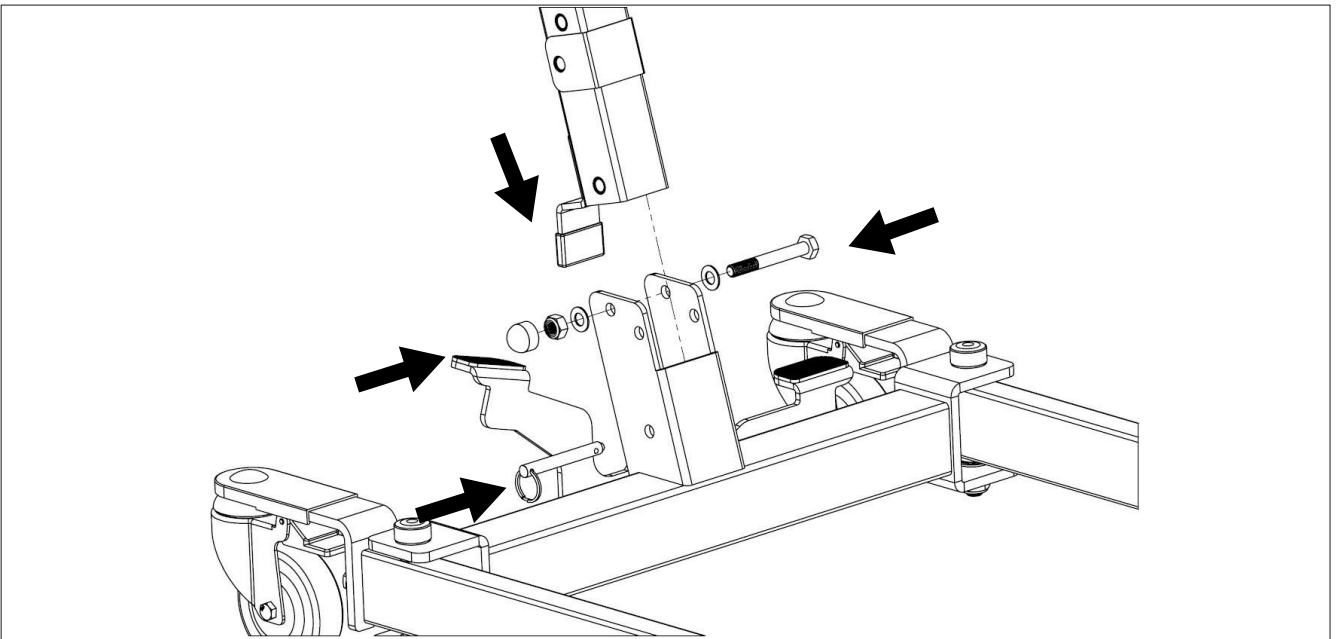
Step 1: Remove all contents from the carton.



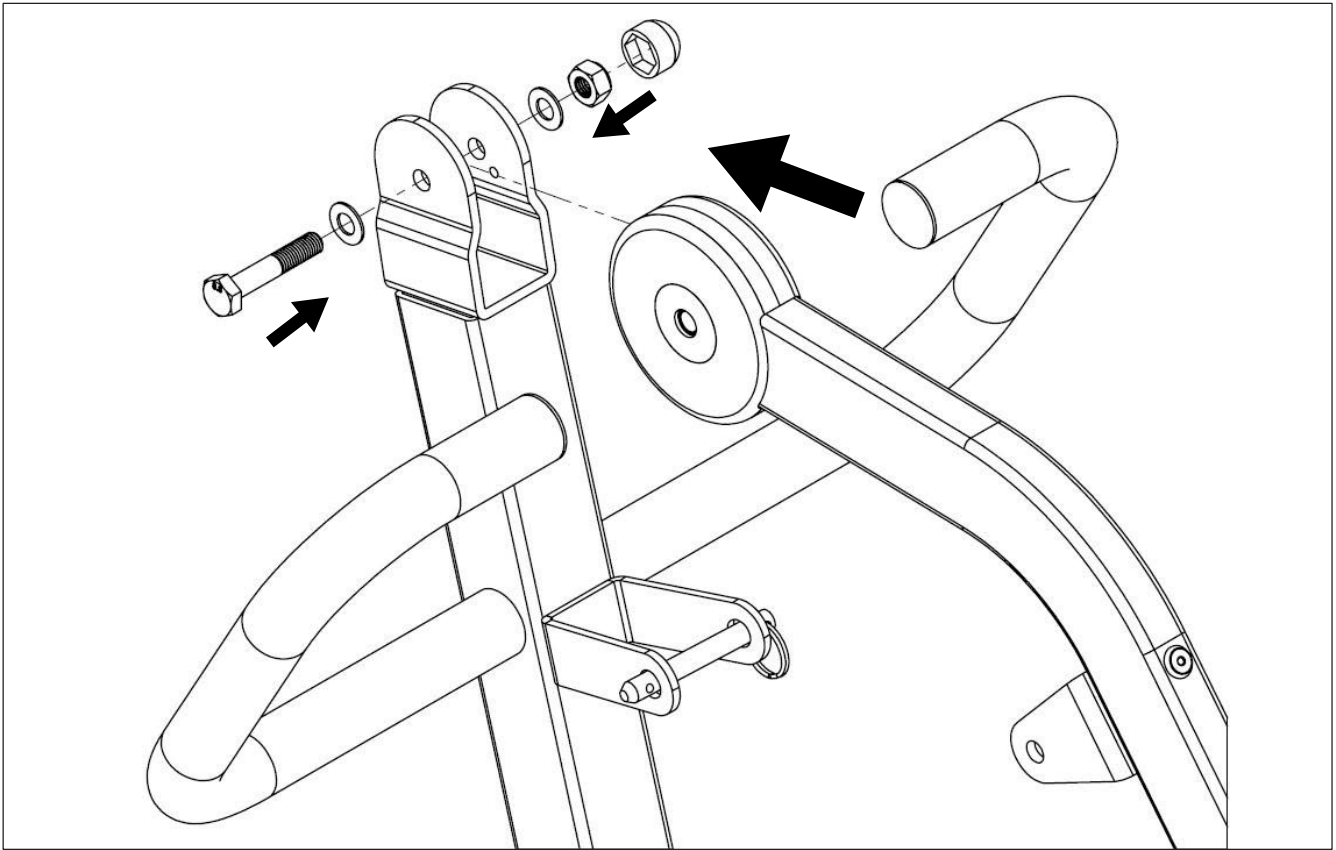
Step 2: Install the stand bracket to the mast. Make sure the stand bracket's tab is inserted into the top hole. Use wrenches to tighten the hardware.



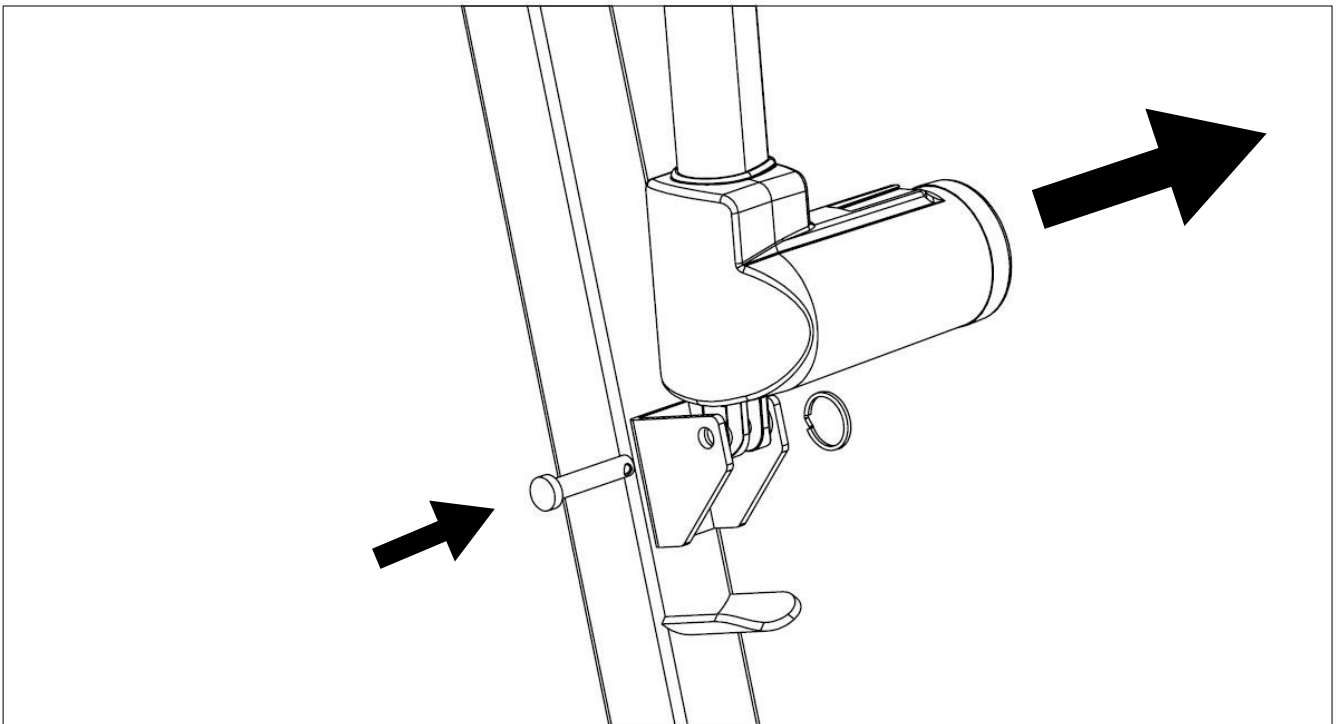
Step 3: Lock the rear casters on the base and insert the mast into the base bracket by aligning the holes. Secure the mast to the base using the hardware as shown. Use wrenches to tighten the hardware.



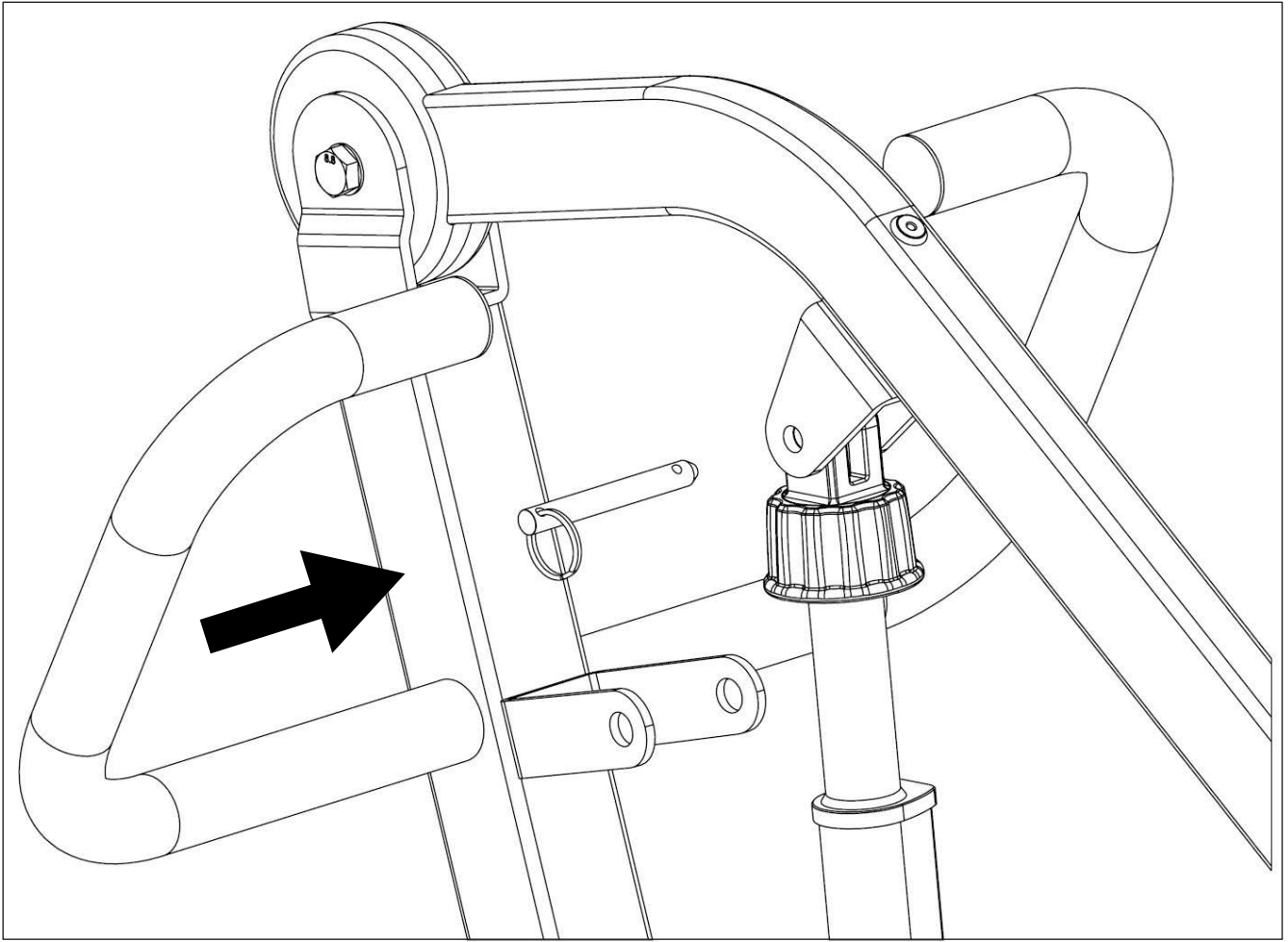
Step 4: Attach the joint cover to the boom as shown. Insert the boom to the mast and secure it using the hardware. Use wrenches to tighten the hardware.



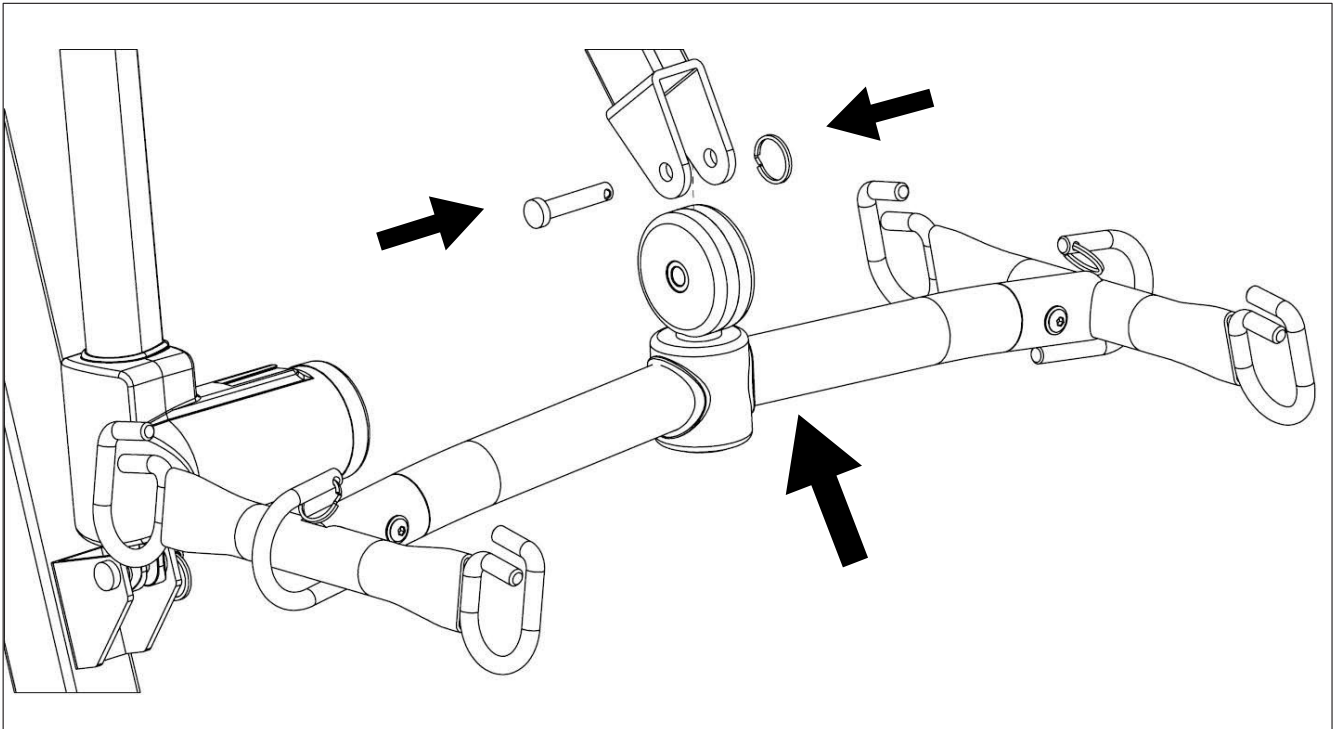
Step 5: Move the boom out of the way and install lower end of actuator as shown. It is critical to have motor part of the actuator face the same direction as the big arrow.



Step 6: Install upper end of the actuator by using the quick-release pin.



Step 7: Install spreader bar into the boom as shown.



Step 10: Install the control unit to the frame as shown.

