

BESTMOVE™

STA450 | STANDING TRANSFER AID

The BestMove™ STA450 is your best choice for fall prevention, while at the same time promoting mobility for the patient. With the new TS30760 Raising belt, users and caregivers will be able to effortlessly transfer the patient from a sitting position to a standing position as well as from a standing position to a sitting position.

NEW!



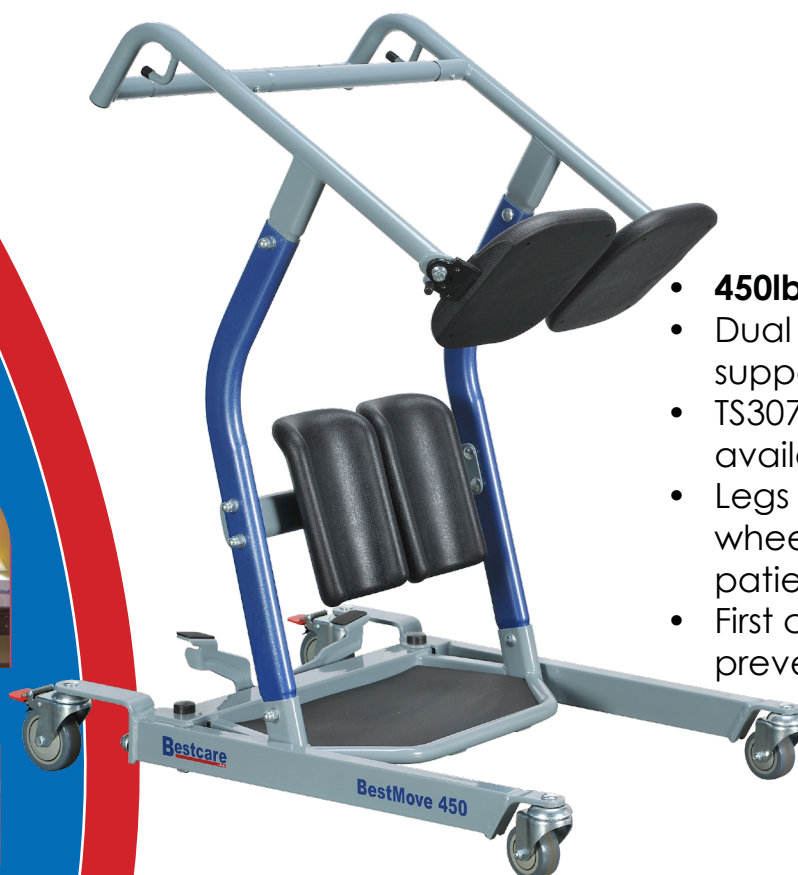
STA450 BEING USED WITH RAISING BELT WHILE PATIENT IS SITTING



STA450 WITH RAISING BELT: PATIENT PULLS HIMSELF UP WITH ASSISTANCE



STA450 WITH RAISING BELT: PATIENT IS TRANSFERRED TO STANDING POSITION



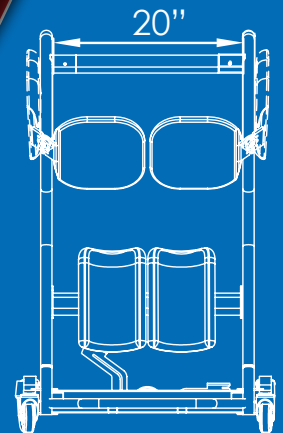
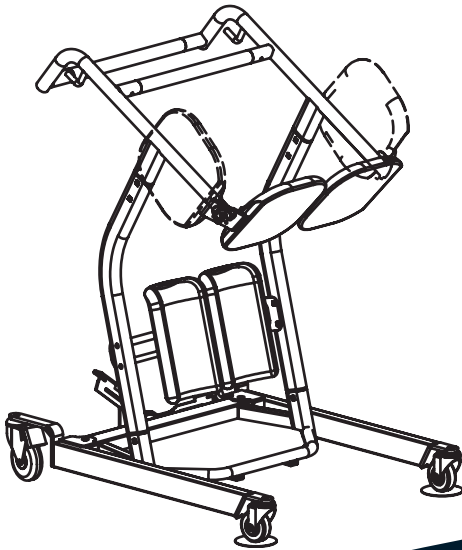
- **450lb** capacity
- Dual shin pads for extra support
- TS30760 Raising Belt available
- Legs open to fit around wheelchairs for easier patient transfers
- First choice for any fall prevention program

| DIMENSIONS

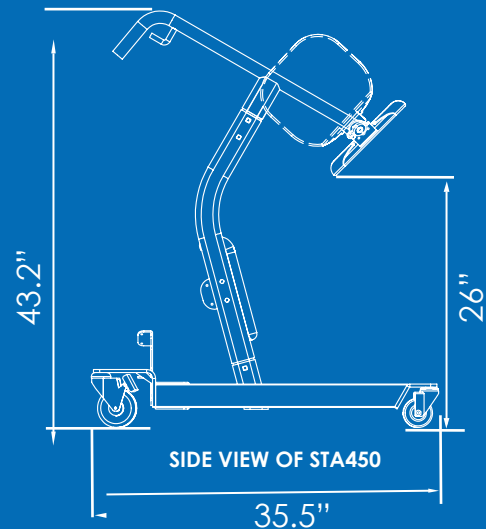
| Key dimensions of STA450 | |
|-----------------------------|-----------------|
| maximum capacity | 450Lb / 205Kg |
| overall height | 43.2 in |
| overall base length | 35.5 in |
| minimum seat height | 26 in |
| maximum seat height | 33.5 |
| front-end base height | 3.6 in |
| internal leg width (open) | 32 in |
| external leg width (closed) | 27.7 in |
| maximum kneepad height | 21 in |
| horizontal handlebar width | 20 in |
| net weight | 78.7Lb / 35.7Kg |
| shipping weight | 93Lb / 42.2Kg |

* SPECIFICATIONS PROVIDED ARE A GENERAL GUIDELINE AND ARE SUBJECT TO CHANGE WITHOUT NOTICE

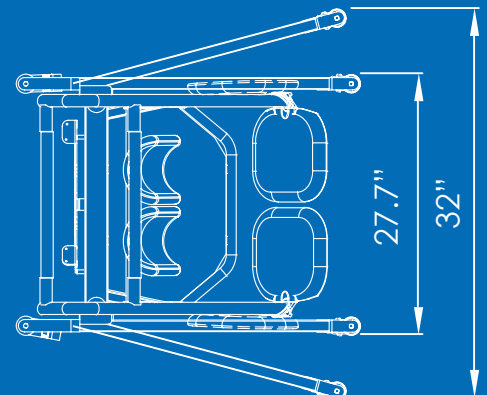
| STA450



FRONT VIEW OF STA450



SIDE VIEW OF STA450



TOP VIEW OF STA450



2920 PACIFIC DR., NORCROSS, GA 30071
WWW.BESTCARELLC.COM
678-679-6690