



BESTSTAND SERIES

SIT-TO-STAND

SA400H Mini

SA400HE Mini

SA182

SA182H

SA228

SA228H

SA400

SA500

SA600

SA600P Powered Base

2920 Pacific Drive, Norcross, GA 30071 • Tel: 678-679-6690 • Fax: 678-679-6697
Email: sales@bestcarellc.com • Web Site: www.bestcarellc.com

BESTSTAND™

SA400H/HE | MINI | SIT-TO-STAND

The BestStand™ SA400H/HE Mini are our latest innovative design for quick and easy sit-to-stand transfer. They are small and compact. Easy to maneuver in tight space. Available in both hydraulic and electric.



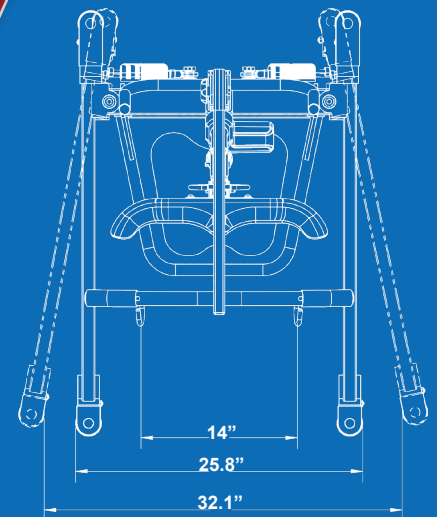
- **400lb** Capacity
- Unique T-bar design for quick lifting action
- Hydraulic with optional electric upgrade
- Adjustable knee pad
- Detachable foot plate

| DIMENSIONS

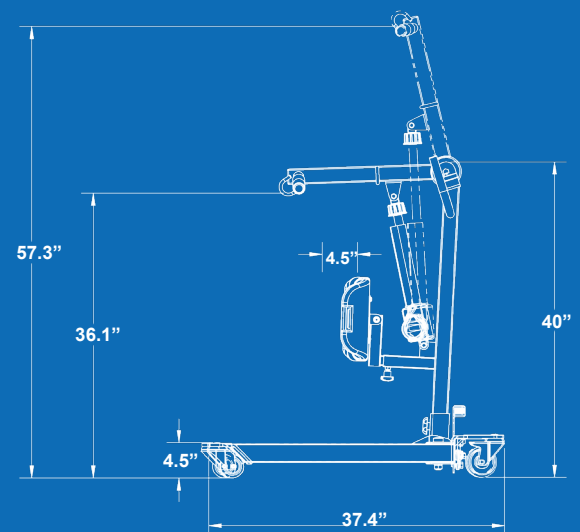
Key dimensions of SA400H/HE MINI	
maximum capacity	400Lb / 182 Kg
external base width (closed)	25.8"
internal leg width (opened)	32.1"
upright mast height	40"
overall base length	37.4"
base height	4.5"
minimum lifting height with spreader bar	36.1"
maximum lifting height with spreader bar	57.3"
knee pad length extension range	4.5"
maximum boom width	14"
knee pad height extension range	22.11"
net weight	102lb / 46.2kgs
shipping weight	112lb / 51kgs

* SPECIFICATIONS PROVIDED ARE A GENERAL GUIDELINE AND ARE SUBJECT TO CHANGE WITHOUT NOTICE

SA400H - Hydraulic SA400HE - Electric



TOP VIEW OF SA400HE MINI

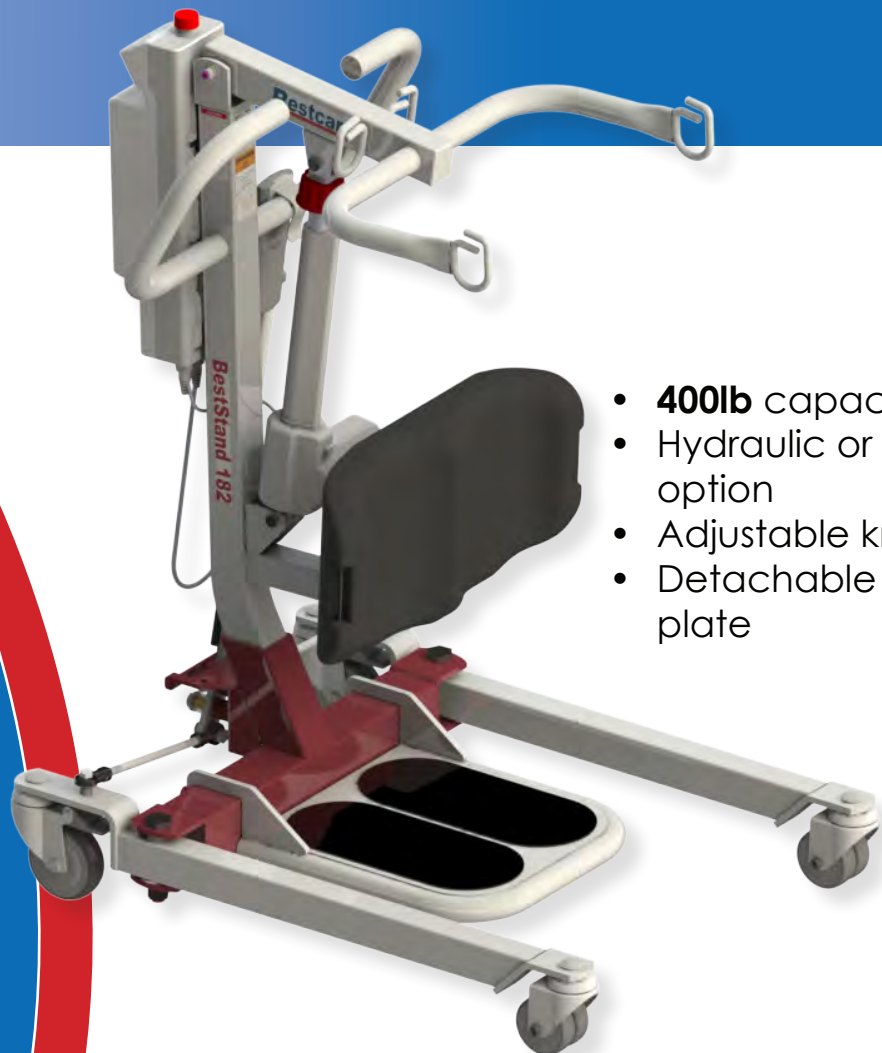


SIDE VIEW OF SA400HE MINI

BESTSTAND™

SA182/H | SIT-TO-STAND

The Bestlift SA182/H are an affordable Care solution. They are compact and easy to maneuver. Medicare reimbursable (E0630).



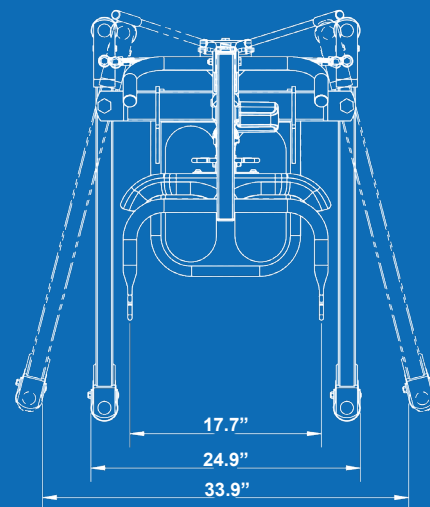
- **400lb** capacity
- Hydraulic or Electric option
- Adjustable knee pad
- Detachable foot plate

| DIMENSIONS

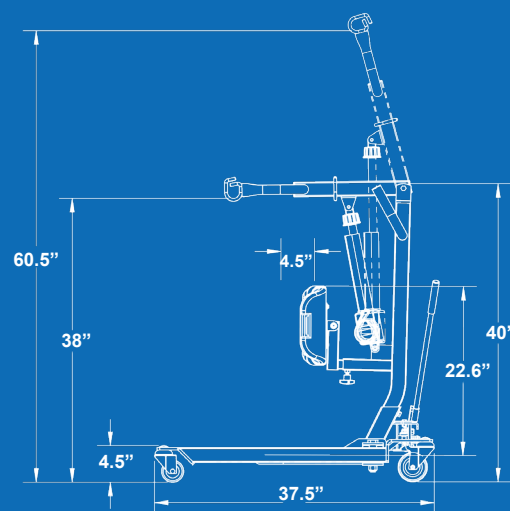
Key dimensions of SA182/H	
maximum capacity	400Lb / 182 Kg
external base width (closed)	24.9"
internal leg width (opened)	33.9"
upright mast height	40"
overall base length	37.5"
base height	4.9"
minimum lifting height with spreader bar	38"
maximum lifting height with spreader bar	60.5"
knee pad length extension range	4.5"
maximum boom width	17.7"
knee pad height extension range	22.6"
net weight	110lb / 49.9kgs
shipping weight	118lb / 53.5kgs

* SPECIFICATIONS PROVIDED ARE A GENERAL GUIDELINE AND ARE SUBJECT TO CHANGE WITHOUT NOTICE

SA182H - Hydraulic SA182 - Electric



TOP VIEW OF SA182



SIDE VIEW OF SA182

BESTSTAND™

SA228/H | SIT-TO-STAND LIFT

The Bestlift™ SA228/H are an affordable Care solution. They are compact and easy to maneuver. Medicare reimbursable (E0630).



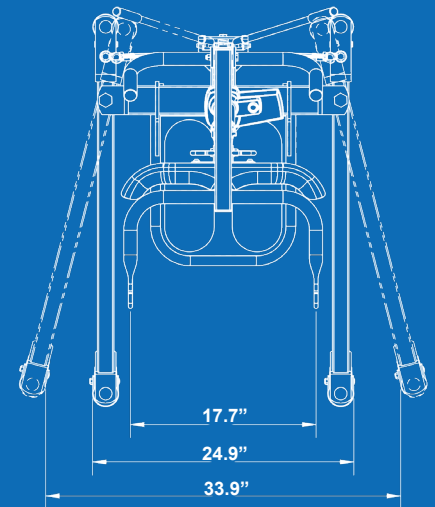
- **500lb** capacity
- Hydraulic with optional electric upgrade
- Adjustable knee pad
- Detachable foot plate

| DIMENSIONS

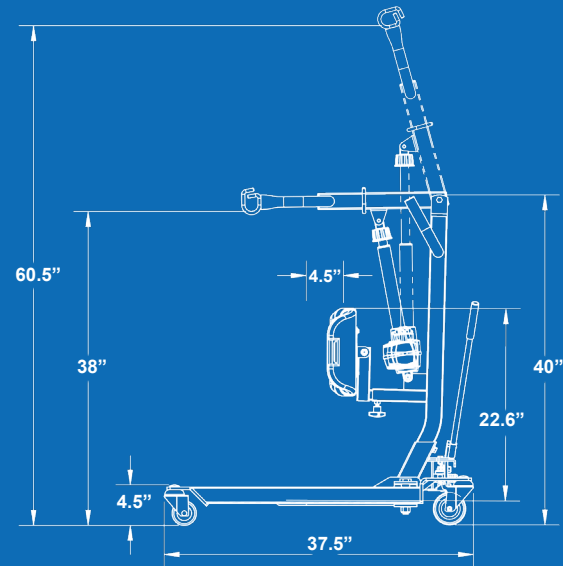
Key dimensions of SA228/H	
maximum capacity	500Lb / 228 Kg
external base width (closed)	24.9"
internal leg width (opened)	33.9"
upright mast height	40"
overall base length	37.5"
base height	4.9"
minimum lifting height with spreader bar	38"
maximum lifting height with spreader bar	60.5"
knee pad length extension range	4.5"
maximum boom width	17.7"
knee pad height extension range	22.6"
net weight	1111lb / 50.3kgs
shipping weight	1191lb / 53.9kgs

* SPECIFICATIONS PROVIDED ARE A GENERAL GUIDELINE AND ARE SUBJECT TO CHANGE WITHOUT NOTICE

SA228H - Hydraulic SA228 - Electric



TOP VIEW OF SA228



SIDE VIEW OF SA228

BESTSTAND™

SA400 | SIT-TO-STAND LIFT

The BestStand™ SA400 is one of the latest addition to our ProCare Sit-to-Stand Solutions. Its ergonomic design ensures safe and smooth patient sit-to-stand transfer.



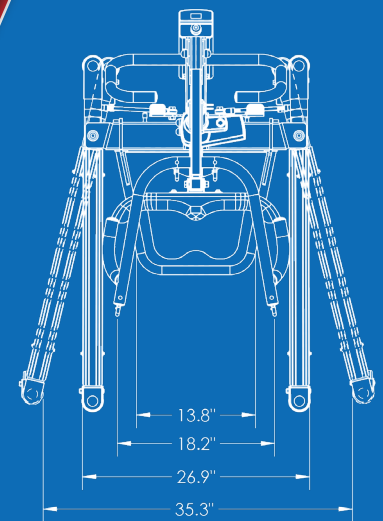
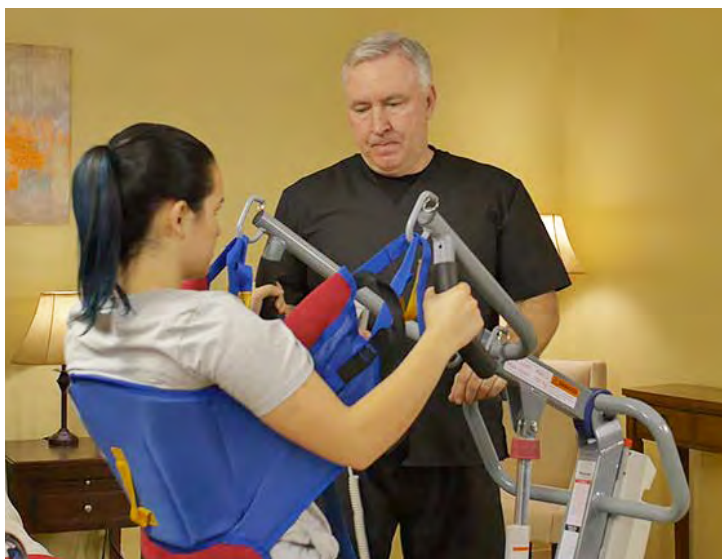
- **400lb** Capacity
- Full electric with optional spare battery
- Wide Lifting range
- Adjustable knee pad
- Compact base for easy maneuver
- Detachable foot plate

| DIMENSIONS

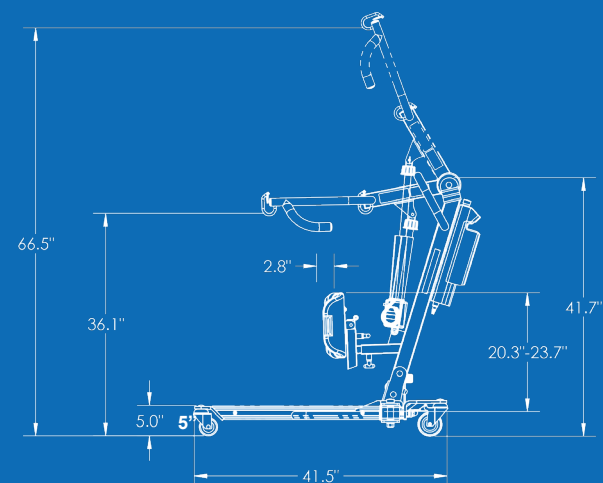
Key dimensions of SA400	
maximum capacity	400Lb / 182 Kg
external base width (closed)	26.9"
internal leg width (opened)	35.3"
foot plate clearance	13.8"
upright mast height	41.7"
overall base length	41.5"
base height	5"
minimum lifting height with spreader bar	36.1"
maximum lifting height with spreader bar	66.5"
knee pad length extension range	2.8"
maximum boom width	18.2"
knee pad height	20.3-23.8"
net weight	115lb / 52.2kgs
shipping weight	130lb / 59kgs

* SPECIFICATIONS PROVIDED ARE A GENERAL GUIDELINE AND ARE SUBJECT TO CHANGE WITHOUT NOTICE

| SA400



TOP VIEW OF SA400



SIDE VIEW OF SA400

BESTSTAND™

SA500 | SIT-TO-STAND LIFT

The BestStand™ SA500 is one of the latest addition to our ProCare Sit-to-Stand Solutions. Its ergonomic design ensures safe and smooth patient sit-to-stand transfer.



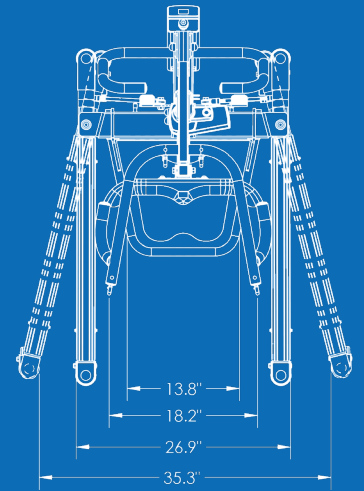
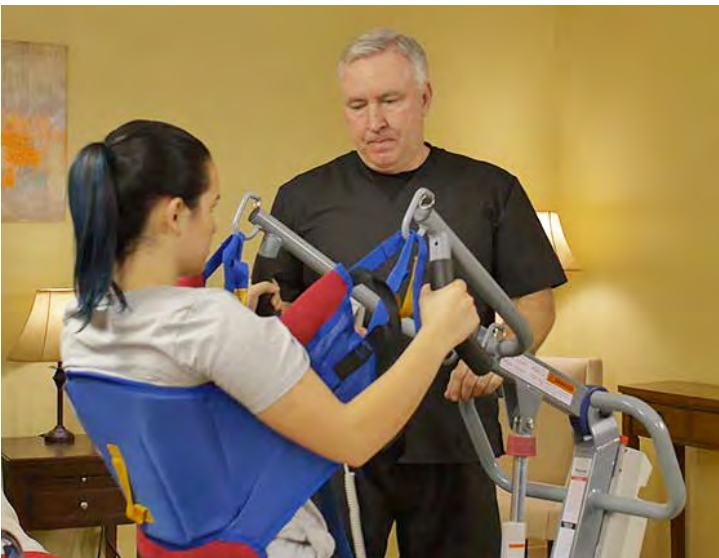
- **500lb** Capacity
- Full electric with optional spare battery
- Wide Lifting range
- Adjustable knee pad
- Compact base for easy maneuver
- Detachable foot plate

| DIMENSIONS

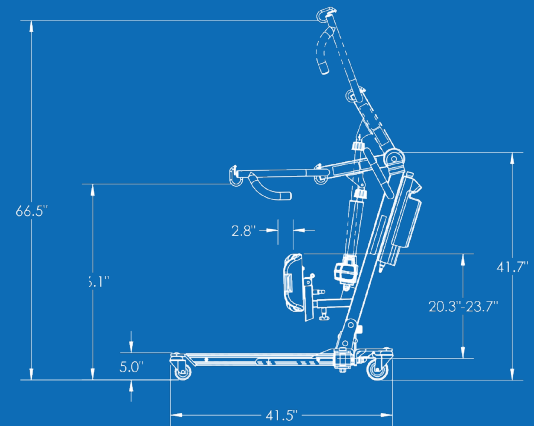
Key dimensions of SA500	
maximum capacity	500Lb / 228 Kg
external base width (closed)	26.9"
internal leg width (opened)	35.3"
foot plate clearance	13.8"
upright mast height	41.7"
overall base length	41.5"
base height	5"
minimum lifting height with spreader bar	36.1"
maximum lifting height with spreader bar	66.5"
knee pad length extension range	2.8"
maximum boom width	18.2"
knee pad height extension range	20.2-23.7"
net weight	116lb / 52.6kgs
shipping weight	131lb / 59.4kgs

* SPECIFICATIONS PROVIDED ARE A GENERAL GUIDELINE AND ARE SUBJECT TO CHANGE WITHOUT NOTICE

| SA500



TOP VIEW OF SA500



SIDE VIEW OF SA500

BESTSTAND™

SA600 | SIT-TO-STAND LIFT

The BestStand™ SA600 is one of the latest addition to our ProCare Sit-to-Stand Solutions. Its ergonomic design ensures safe and smooth patient sit-to-stand transfer.



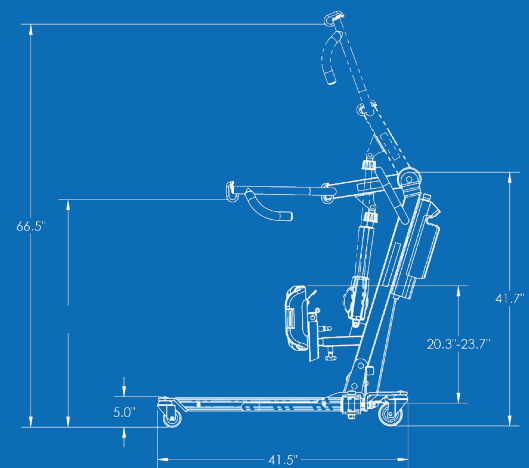
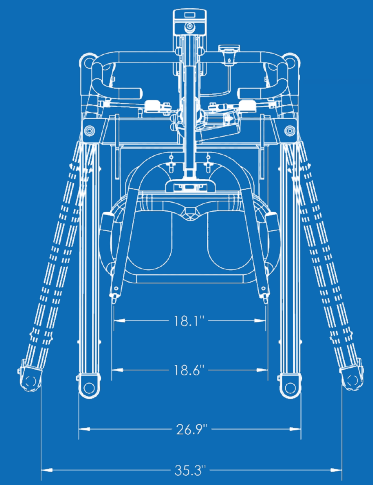
- **600lb** Capacity
- Full electric with optional spare battery
- Wide Lifting range
- Adjustable knee pad
- Compact base for easy maneuver
- Detachable foot plate

| DIMENSIONS

Key dimensions of SA600	
maximum capacity	600Lb / 273 Kg
external base width (closed)	26.9"
internal leg width (opened)	35.3"
foot plate clearance	18.1"
upright mast height	41.7"
overall base length	41.5"
base height	5"
minimum lifting height with spreader bar	37.5"
maximum lifting height with spreader bar	66.5"
knee pad length extension range	2.8"
maximum boom width	18.2"
knee pad height extension range	20.2-23.7"
net weight	125lb / 56.5kgs
shipping weight	139lb / 63kgs

* SPECIFICATIONS PROVIDED ARE A GENERAL GUIDELINE AND ARE SUBJECT TO CHANGE WITHOUT NOTICE

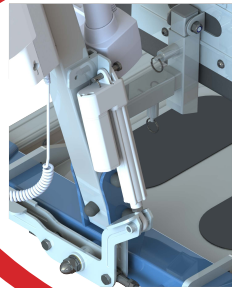
| SA600



BESTSTAND™

SA600P | SIT-TO-STAND LIFT

The BestStand™ SA600P is one of the latest addition to our line of ProCare Sit-to-Stand lifts. Featuring a new powered base to reduce back injuries and wide lifting range to ensure safe and smooth patient transfer. With intuitive controls and effortless operation, it offers safety, support, and convenience together in one reliable solution.



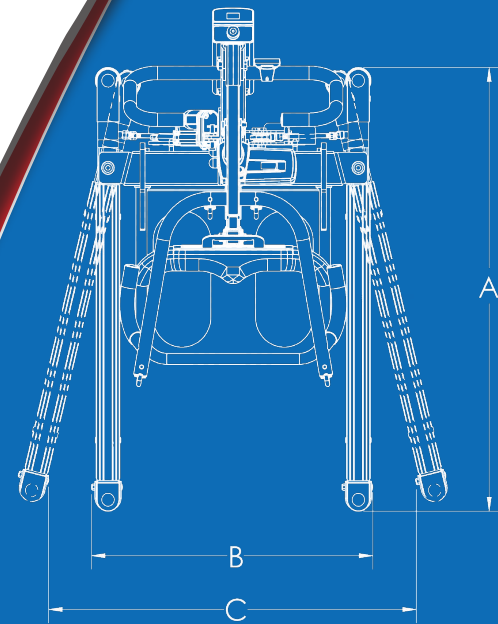
- **600lb** Capacity
- Wide Lifting range
- Adjustable knee pad
- Detachable foot plate
- Powered base to reduce injuries

| DIMENSIONS

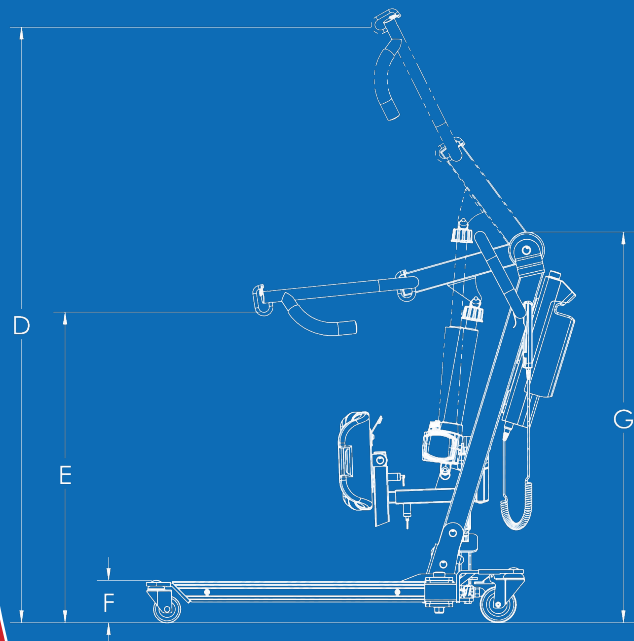
Key dimensions of SA600P		
	Safe Working Load	600 lb / 273 kg
A	Base Length	41.3"
B	Base Ext. Width - Closed	26.4"
C	Base Int. Width - Opened	35.0"
D	Lifting Height - Highest	64.8"
E	Lifting Height - Lowest	34.4"
F	Front Caster Height	4.9"
G	Mast Height	41.7"
	Net Weight	129 lb / 59 kg
	Gross Weight	143 lb / 65 kg

* SPECIFICATIONS PROVIDED ARE A GENERAL GUIDELINE AND ARE SUBJECT TO CHANGE WITHOUT NOTICE

| SA600P



TOP VIEW OF SA600P



SIDE VIEW OF SA600P