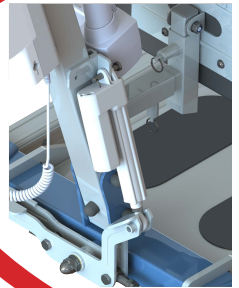


BESTSTAND™

SA600P | SIT-TO-STAND LIFT

The BestStand™ SA600P is one of the latest addition to our line of ProCare Sit-to-Stand lifts. Featuring a new powered base to reduce back injuries and wide lifting range to ensure safe and smooth patient transfer. With intuitive controls and effortless operation, it offers safety, support, and convenience together in one reliable solution.



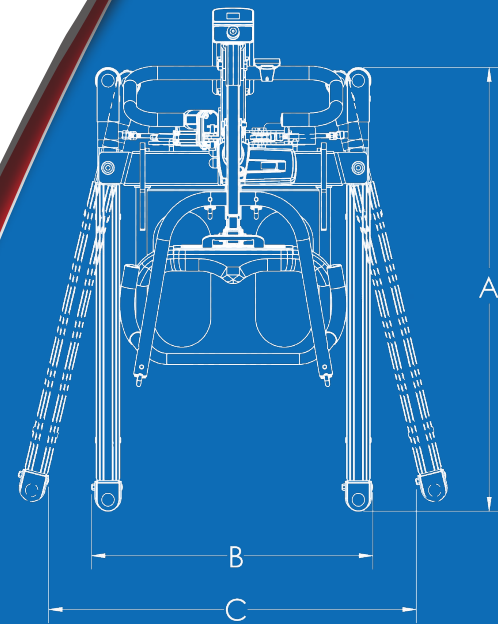
- **600lb** Capacity
- Wide Lifting range
- Adjustable knee pad
- Detachable foot plate
- Powered base to reduce injuries

| DIMENSIONS

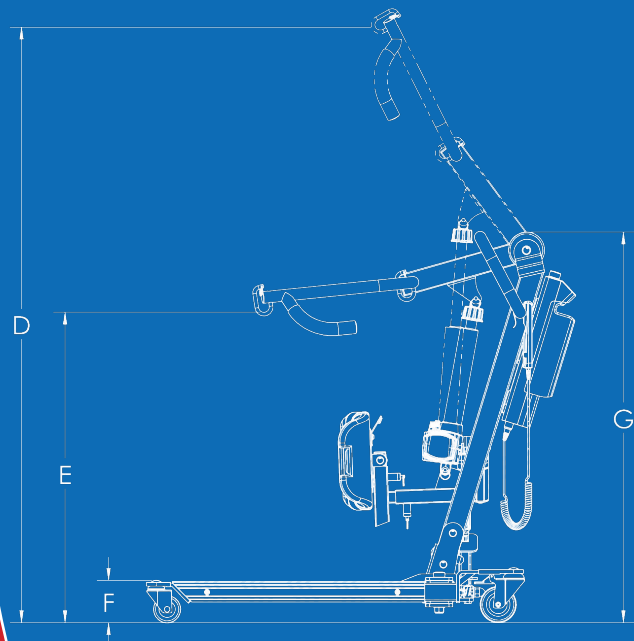
Key dimensions of SA600P		
	Safe Working Load	600 lb / 273 kg
A	Base Length	41.3"
B	Base Ext. Width - Closed	26.4"
C	Base Int. Width - Opened	35.0"
D	Lifting Height - Highest	64.8"
E	Lifting Height - Lowest	34.4"
F	Front Caster Height	4.9"
G	Mast Height	41.7"
	Net Weight	129 lb / 59 kg
	Gross Weight	143 lb / 65 kg

* SPECIFICATIONS PROVIDED ARE A GENERAL GUIDELINE AND ARE SUBJECT TO CHANGE WITHOUT NOTICE

| SA600P



TOP VIEW OF SA600P



SIDE VIEW OF SA600P